



Ultimate DR flexibility
to fit *your* room, workflow, and budget

Kodak
DirectView
DR 7500 System





Kodak


DirectView DR 7500 System

You have never seen a digital radiography system like this!

Your radiography facility is unique. That is why we created the KODAK DIRECTVIEW DR 7500 System. This versatile digital radiography system uses modular components that you can configure to fit your space, procedures, workflow, and budget. It can be scaled to meet growing or changing requirements for medical facilities of any size.

Components include:

- ▶ Wall stand with extending tilt and swing Bucky/detector
- ▶ Fixed elevating table with Bucky/detector
- ▶ Overhead tube suspension
- ▶ Integrated system operator console
- ▶ X-ray generator (80 kW) and timing and distribution unit



Choose from customizable single- or dual-detector options to perform a wide variety of general radiography examinations (including trauma) with remarkable convenience, productivity, and patient comfort.

Whichever configuration is best for you, proprietary KODAK Image Processing Software will provide outstanding image quality. And Carestream Health professional services will provide a single source of expert support to optimize system implementation and performance.



Comprehensive options maximize system performance

Enhance workflow and productivity with these comprehensive options for wall-stand and/or fixed-table configurations.

Overhead tube motorization and synchronization

- ▶ Minimize equipment positioning with an overhead tube that will track detector movement (wall stand or elevating table) for consistent, source-to-detector alignment.
- ▶ Push-button control will enable auto-centering and auto-perpendicularity of the x-ray source-to-detector alignment.*

Auto-positioning

- ▶ Improve workflow and pre-program tube and Bucky positions (generator parameters, collimator setting, and more).
- ▶ Select any pre-programmed exam and the equipment will automatically move into position.*
- ▶ Required operator presence enhances patient safety.

*May require manual movement for fine detector/tube alignment

Software options

Additional software options enhance image quality and workflow.

- ▶ Take image quality and diagnostic confidence to a new level. Optional KODAK DIRECTVIEW EVP Software extends image latitude without loss of detail contrast.
- ▶ KODAK DIRECTVIEW Capture Link System integrates up to five KODAK DIRECTVIEW DR and/or CR Systems to streamline workflow when a study includes DR and CR images.
- ▶ Obtain patient data directly from the hospital HIS/RIS system, eliminating the need for manual data entry with optional KODAK DICOM Work List Management Service Class User Software.

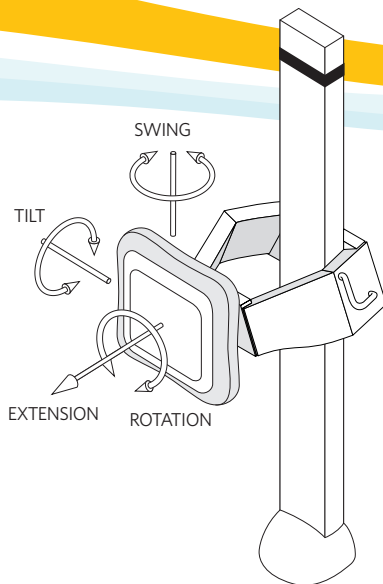
Accessories

- ▶ Low-profile, easy-to-clean floor rails for lateral movement of the wall stand
- ▶ Movable fixed-height or elevating gurney without detector
- ▶ Dose area product meter

Wall stand with extending tilt and swing Bucky/detector

Upright, horizontal, and cross-table projections

Flexible and ergonomically designed, this wall stand saves space, enhances workflow, is easy to use, and simplifies patient positioning.



Wide range of motion

- ▶ Accommodate a wide variety of patients and projections with a Bucky that has an extensive vertical range of motion.
- ▶ Perform horizontal projections of patients with Bucky tilt capability from negative vertical (-20°) to horizontal (90°). Lock the Bucky at any tilt angle, which will be displayed on the Bucky arm.
- ▶ Swing (angulate) the Bucky from side-to-side $\pm 45^{\circ}$ with detents every 15° .
- ▶ Optional low-profile, easy-to-clean, floor-mounted rail system allows for moving the entire wall stand laterally.
- ▶ Tracking option enables automatic alignment of the detector with the overhead tube (up and down wall stand and along optional rail).*

*May require manual movement for fine detector/tube alignment

DESIGNED IN CONJUNCTION WITH RADIOGRAPHERS AROUND THE WORLD

As part of the design phase of the KODAK DIRECTVIEW DR 7500 System, an extensive “**Voice of the Customer**” program was used to ensure the system delivers advanced design elements and features required by working radiographers worldwide in daily use.



Broad range of exams

- ▶ Use this stand for upright examinations such as chest, lateral cervical spine, standing knee, and more.
- ▶ Unique, retractable, space-efficient Bucky makes patient access easy for a variety of exams such as patients in wheelchairs.
- ▶ Rotate, tilt, and angulate the Bucky with three-axis movement.
- ▶ Position the Bucky horizontally for upper extremity studies or under an optional movable table for projections of supine patients.
- ▶ Perform cross-table exams of patients on gurneys using the side-to-side swing feature.



Ergonomic design and options

- ▶ Control the Bucky from either side of the wall stand, or with a remote control.
- ▶ Adjust Bucky height and tilt, turn collimator light on and off, control wall-stand travel on an optional low-profile floor rail system, activate optional automatic overhead tube/detector synchronization, and more—all with convenient operator controls.*
- ▶ Conveniently store the included lateral arm support when the Bucky is tilted.



*May require manual movement for fine detector/tube alignment



Fixed elevating table with Bucky/detector

General radiography exams, including trauma

- ▶ This versatile, fixed table enhances workflow and productivity by aiding and simplifying patient positioning for a broad range of projections.
- ▶ Easy to use, this four-way float and elevating table allows for a maximum patient weight of 600 lbs (272 kg).
- ▶ Pull the Bucky out from the table—leaving the grid in the table—for added flexibility to perform extremity examinations.
- ▶ Table detector and overhead tube can be set up with automatic tracking along the length of the table, avoiding the need to reach to reposition the tube.
- ▶ Table movement is enabled through double-tap foot pedals, providing more safety for patients being imaged on the table.



Overhead tube suspension

Ergonomically designed for ease of use, workflow, and productivity

Flexible and easy to use, this ergonomic component puts key data and control where needed to enhance ease of use and streamline examination processes.

- ▶ Save time and effort with controls designed and positioned for convenience and efficiency.
- ▶ Monitor exams using a convenient LCD with self-righting data displays of radiographic techniques and key data. These include SID, kVp/mAs, exam type, tube head angle, active detector, auto-centering, and auto-tracking.
- ▶ Patient name and ID can be viewed by the radiographer at the touch of a button, but are not visible when the button is released.
- ▶ Optional motorization enables the overhead tube to track to the active detector and provide auto-centering and auto-perpendicularity.*
- ▶ Select collimator filtration with the push of a button. There is no need to manually insert filters.

*May require manual movement for fine detector/tube alignment



Kodak

DirectView DR 7500 System

Integrated system operator console

One space-saving console controls all imaging functions

The fully integrated KODAK DIRECTVIEW DR System Operator Console puts high performance at the operator's fingertips for ease of use, enhanced workflow, improved patient care, and greater productivity.

- ▶ Eliminate the need for a second console with this single, integrated unit.
- ▶ Control all imaging functions—including HIS/RIS patient data access, x-ray generator, detector array selection, and image review and management.
- ▶ Optimize grayscale display and apply examination-specific, nonlinear edge enhancement with built-in KODAK DIRECTVIEW PTS Software.
- ▶ Consistent across all KODAK DIRECTVIEW DR and CR Systems, an intuitive, touch-screen user interface reduces training needs and boosts productivity.



Carestream Health service and support

A team of experts to optimize system performance



Count on timely, dependable Carestream Health service and support for your DR 7500 System.

- ▶ Secure remote diagnostic services help optimize uptime, reduce service calls, and expedite service by enabling support personnel to arrive on site with necessary parts.
- ▶ Carestream Health's team of more than 1,700 service professionals worldwide is dedicated to keeping you up and running at peak performance.
- ▶ Carestream Health professional services offers a portfolio of expert support from site planning and project management to DICOM and integration services.

Kodak

Licensed Product

Carestream Health, Inc.
150 Verona Street
Rochester, NY 14608

Carestream Health Canada Company
6 Monogram Place
Suite 200
Toronto, Ontario M9R 0A1
CANADA

More information

Learn more about the KODAK DIRECTVIEW DR 7500 System—and Carestream Health's flexible family of DR systems to enhance your workflow, patient care, and bottom line. Contact your Carestream Health representative, or call 1-877-865-6325, ext. 227.

→ www.carestreamhealth.com

Carestream 
HEALTH

The Innovation Powering **Kodak** Health Products