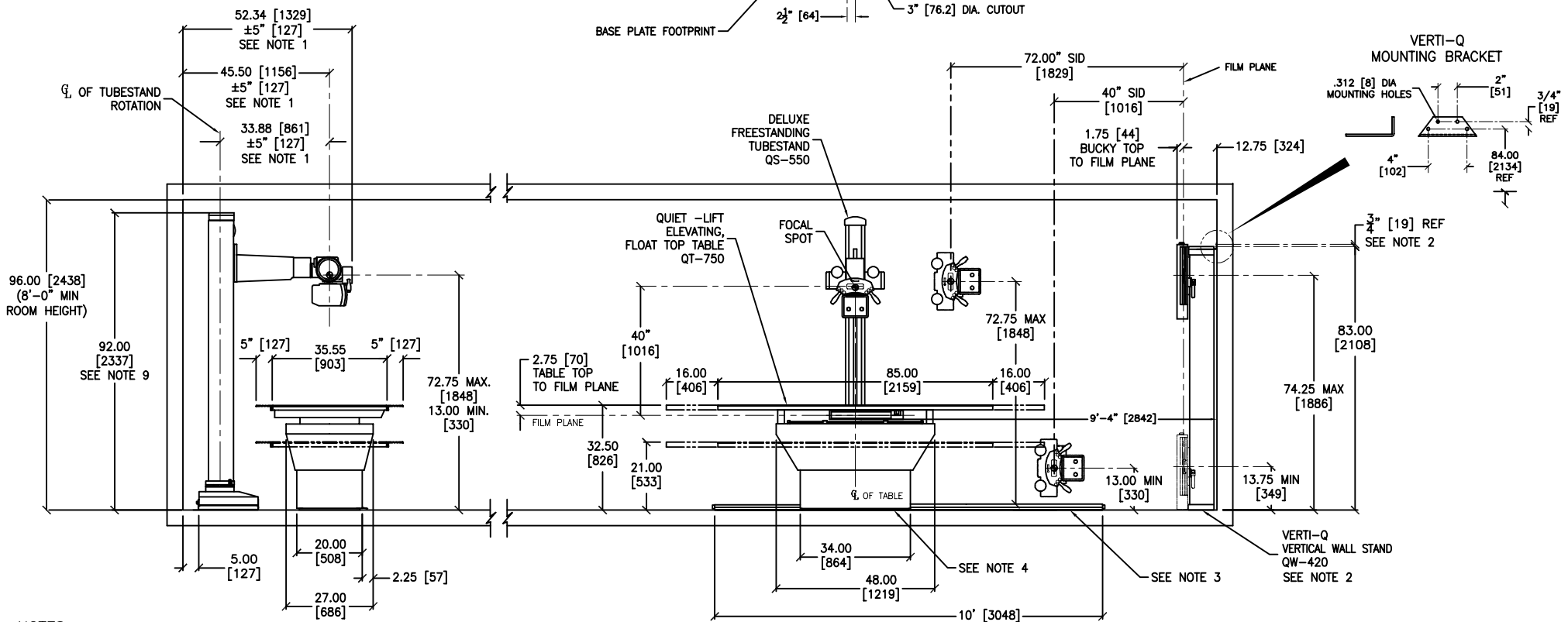
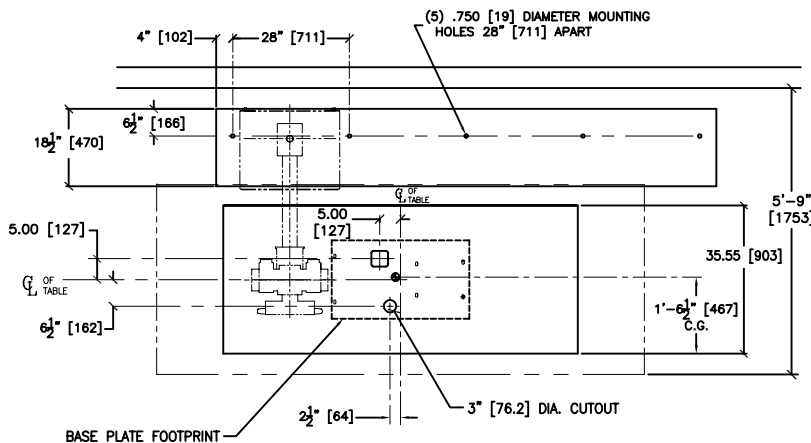
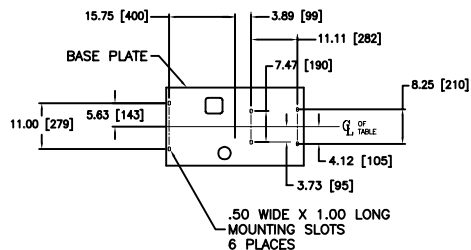


REVISIONS

REV	DESCRIPTION	DATE	DRN BY:
A	RELEASED	9-28-00	DW
B	ADDED MOUNTING HOLE LOCATIONS.	3-5-01	DW
C	MODIFIED DIMENSION.	3-15-01	DW
D	150 LBS PULL WAS 100 LBS PULL (NOTE 2).	7-10-01	DW
E	UPDATED TABLE BASE CUTOUTS; CLARIFIED MOUNTING SLOT LOCATIONS.	9-19-02	DW
F	ADDED BASE MOUNTING HOLE DIMENSIONS.	9-16-03	DW
G	DELETED (1) ACCESS HOLE; ADDED NOTE 9.	10-8-03	DW

TABLE MOUNTING SLOT LOCATIONS

(VIEWED FROM TOP)



NOTES:

1. ADD OR SUBTRACT 5" [127] FOR TRANSVERSE TRAVEL.
2. VERTI-Q MOUNTING POINTS MUST WITHSTAND APPROX. 150 LBS [68.04 kg] PULL.
3. BASE TRACK MUST WITHSTAND 200 LBS [90.72 kg] PULL.
4. QUIET-LIFT MOUNTING POINTS MUST WITHSTAND APPROX. 500 LBS [226.8 kg] PULL.
5. DIMENSIONS WITHIN [ ] ARE IN MILLIMETERS.
6. 5" DIMENSION RECOMMENDED, HOWEVER, IF NECESSARY, 3" IS ACCEPTABLE.
7. SPECIFICATIONS SUBJECT TO CHANGE WITHOUT PRIOR NOTICE.
8. QS-550 TUBESTAND WEIGHT: 600lbs; QW-420 VERTI-Q WEIGHT: 225lbs; QT-750 QUIET-LIFT WEIGHT: 500lbs.
9. ADD 1 INCH TO THIS DIMENSION WHEN VERTICAL SID MONITOR FOR AUTO COLLIMATOR IS USED.

PROPRIETARY

THIS DOCUMENT EMBODIES PROPRIETARY RIGHTS OF QMI LLC. IT IS FURNISHED FOR REFERENCE ONLY. ALL OTHER USE IS PROHIBITED. COPYRIGHT © 2003 QMI

DRAWN BY	DON WHITE	DATE	9-28-00
CHECKED BY			
ENG APPROVAL			
QA APPROVAL			
MFG APPROVAL			
MFG APPROVAL			

Quantum Medical Imaging, LLC

TITLE  
Q-RAD SYSTEM

MODEL NOS.	QW-420; QT-750; QS-550	DWG/PART NO	DC80-005	REV	G
SCALE NOT TO SCALE		DWG CAT DOCUMENTATION		SHEET 1 OF 1	