

UR1++

UR1++ Universal Radiography System



Shown with DR50 digital receptor

SPECIFICATIONS

GENERATOR

High Frequency	100kHz
Microprocessor Control	Yes (Standard)
Auto Diagnostic System	Yes (Standard)
Automatic Programming	Yes (Standard)
Power Output	32kW Through 80 kW
Single Phase	32kW Through 50kW
kVp Range	40-125, 150 kVp Standard on 50kW - 80kW
mA Range	10-800, Generator Specific
Time Range	1 ms - 10 Seconds
Rotor Control	Low Speed or High Speed
Automatic Exposure Control	Yes (Optional)

UNIVERSAL STAND

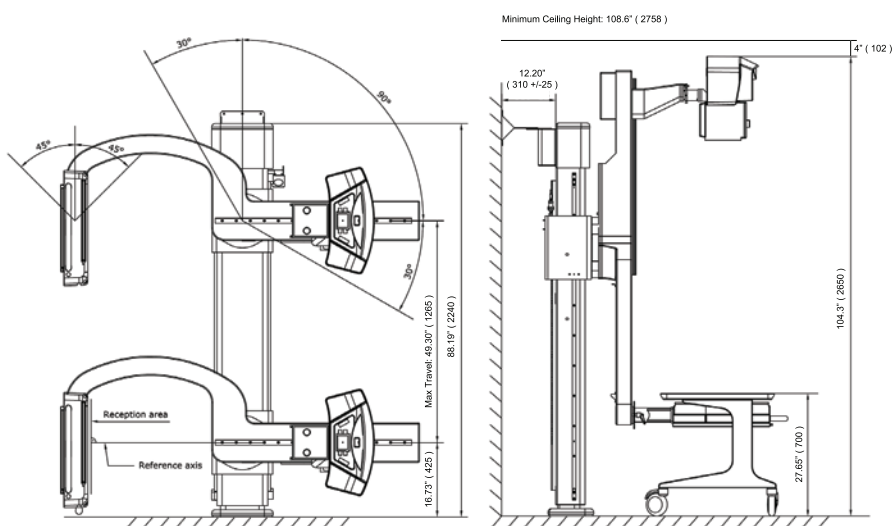
Motorized Movements	SID, Rotation, Elevation (Standard) Motorized Bucky Rotation (Optional)
Arm Rotation	+ 120° /- 30°
Movement Speed	+ / - 45°
Maximum Distance (From Bucky)	Low Speed and High Speed Movement
Minimum Distance (From Bucky)	45.2" in (1150 mm)
Intermediate SID	Yes, Capable From Any Angle
Tube Rotation	360° with 45° Degree Detents
Safety Devices	Intelligent Anti-Collision Systems
X-Ray Tube	300, 400, or 600 kHu
Collimator	Manual Collimator w/ Concentrated Laser Light Line
Dimensions	104.3" H x 83" W x 66" D

DIGITAL DETECTOR (OPTIONAL)

Canon CXDI-50 Series (14" x 17" in)	Models: CXDI-50G, CXDI-50C
Canon CXDI-40 Series (17" x 17" in)	Models: CXDI-40EG, CXDI-40EC

DIMENSIONS

Unit: Inches (mm)

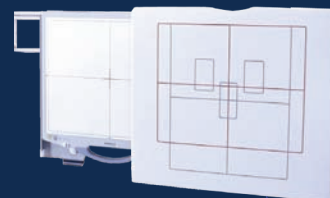


- * The appearance and specifications are subject to change for reasons of improvement without notice.
- * Certain configurations may not be available. Contact your RadPro representative for information on specific configurations.

Canon and CXDI are registered trademarks of Canon, Inc. in the United States and may also be registered trademarks or trademarks in other countries. Copyright © 2007. All rights reserved. RadPro is a division and registered trademark of Virtual Imaging, Inc. Additional information can be found at www.virtualimaging-fl.com or by contacting our main office at: VIRTUAL IMAGING, INC, 720 S. Powerline Rd, Suite E, Deerfield Beach, FL 33442, P 954.428.6191, F 954.428.6195.

DR50 BUCKY

(OPTIONAL)



Features:

- Left | Right Hand Versions
- Custom Removable Grid
- Short Vertical Distance
- Convenient Positioning

Ask your
RadPro dealer
about this
system
upgrade

CANON CXDI-40 SERIES

17" X 17" DIGITAL DETECTOR



Models: CXDI-40EG, CXDI-40EC

Features:

- 17" X 17" Full Imaging Field
- Amorphous Silicon Sensor
- 7.2 Million Pixels (2688 X 2688)
- 12 Bit / 4096 Grayscale (14 Bit A/D)
- Preview Image In 3-5 Seconds

CANON CXDI-50 SERIES

14" X 17" DIGITAL DETECTOR



Models: CXDI-50G, CXDI-50C

Features:

- Provides improved clinical productivity and effectiveness with flexible, portable Digital Radiography
- 14" X 17" Full Imaging Field
- Amorphous Silicon Sensor
- 160 Micron Pixel Pitch
- 5.9 Million Pixels (2208 X 2688)
- 12 Bit / 4096 Gray Scale (14 Bit A/D)
- Preview Image In 3-5 Seconds
- 7 Meter Cable
- Sensor Size (W x L x T): 19.3" x 18.8" x 0.9"
- Sensor Weight: 10.6 lbs